

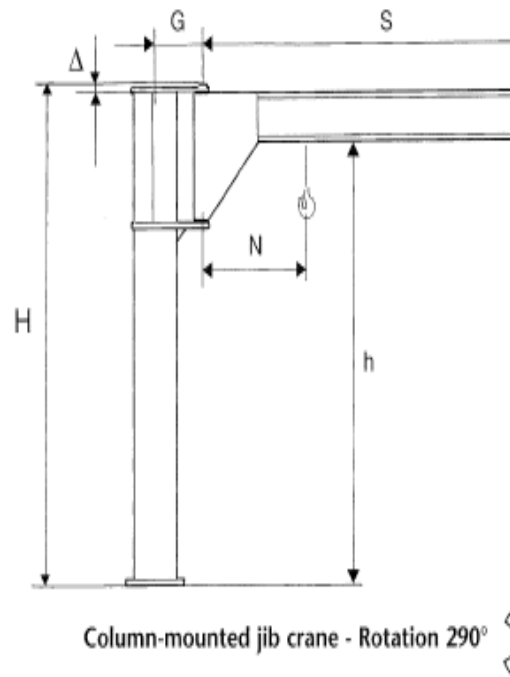
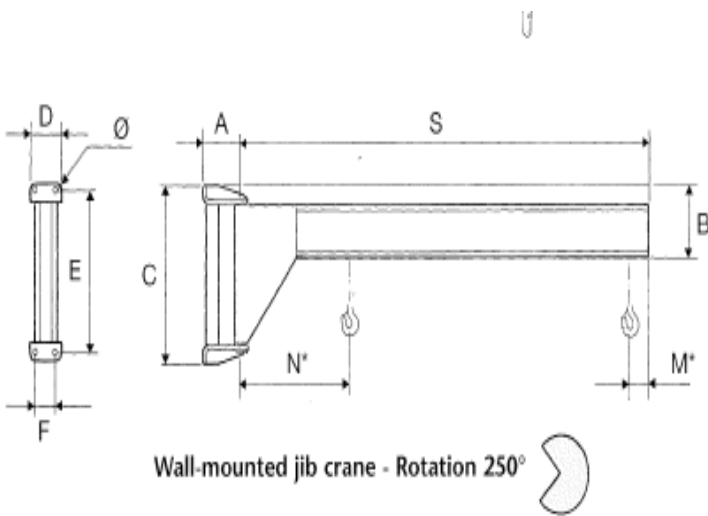


A.B.N. 20 060 375 699
 Website: www.nqcranes.com.au

- P.O. Box 1039, Mackay, Q. 4740
Ph: (07) 4952 5488 – Fax: (07) 4952 5633
- P.O. Box 1794, Gladstone, Q. 4680
Ph: (07) 4972 9411 – Fax: (07) 4972 6302
- P.O. Box 7499, Garbutt BC, Q. 4814
Ph: (07) 4725 4955 – Fax: (07) 4725 4811
- P.O. Box 1092, Mt Isa, Q. 4825
Ph: (07) 4749 5366 – Fax: (07) 4743 0344
- P.O. Box 371, Richlands DC, Q. 4077
Ph: (07) 3278 8014 – Fax: (07) 3278 8015
- Cairns
Ph: (07) 4036 3197 – Fax: (07) 4036 3197

QUOTE REQUEST – UNDERBRACED JIB CRANE

COMPANY:	CONTACT:	
ADDRESS:		
PHONE:	FAX:	
EMAIL:		



RCL:		kg	RADIUS(S):	mm	SLEW:	deg	<input type="radio"/> Electrical 1Ø or 3Ø	<input type="radio"/> Manual
HOIST:					SPEEDS:	1	2	MTRS/MIN
TROLLEY:					SPEEDS:	1	2	MTRS/MIN
PILLAR TYPE:			EXTRA HEIGHT:	mm	PLYNTH/PLATE:			
Specs	(H):	mm	(h):	mm	CLASS:			
Extras:								
Comments:								
PERSON REQUESTING QUOTE:								
HOW DID YOU HEAR ABOUT US?			Yellow Pages	Website	Other:			